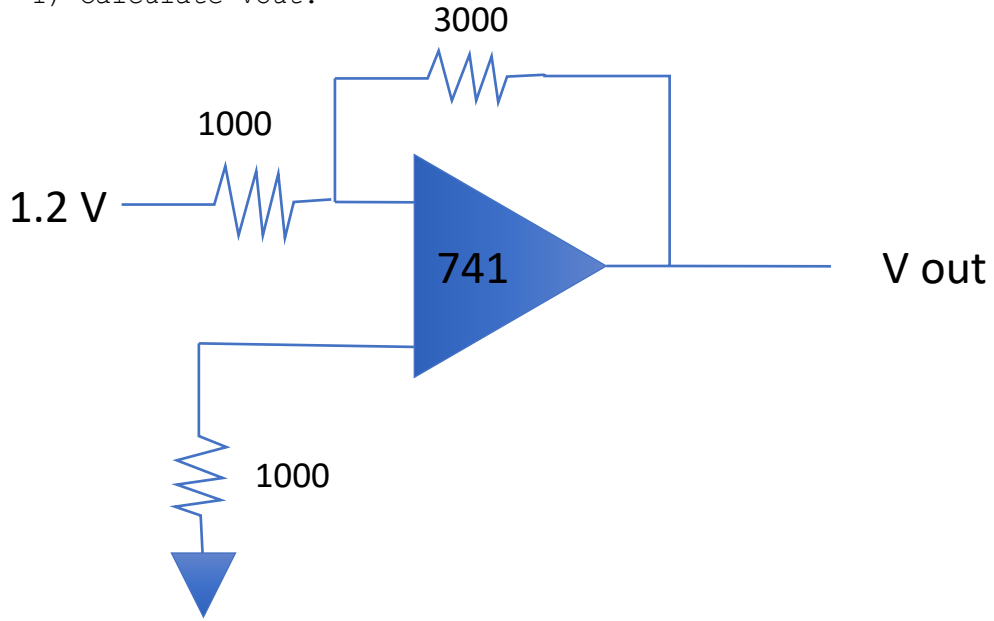
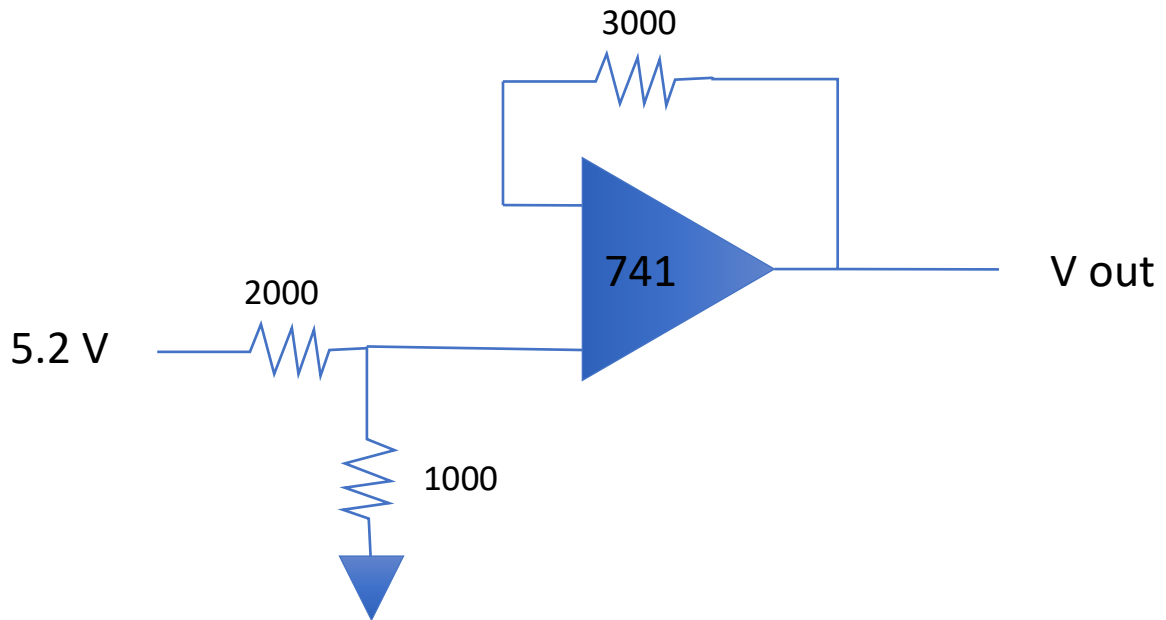


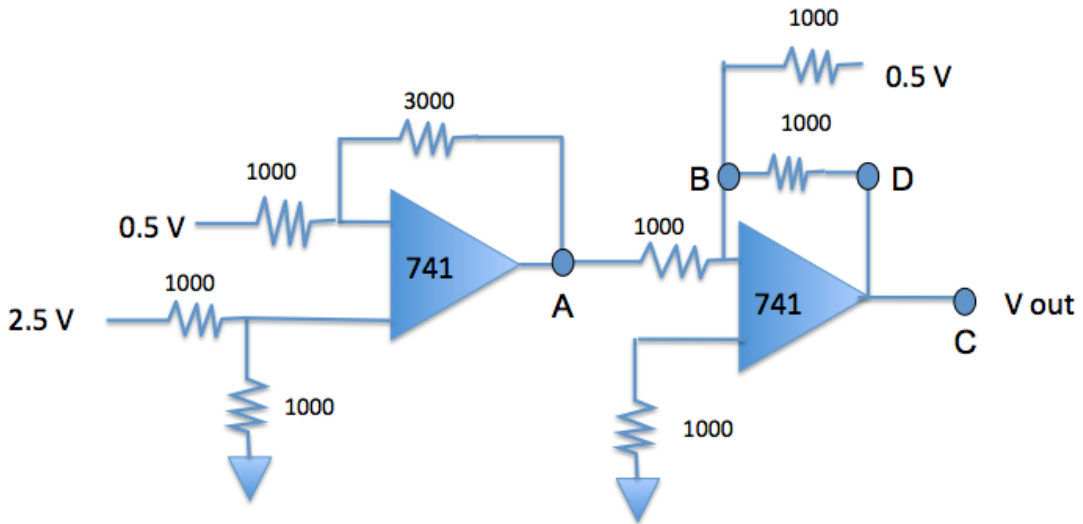
1) Calculate V_{out} .



2. Calculate V_{out} and I for the feedback loop.



3) Determine the voltages at points A, B, and C and the current at point D.
(20)



4) Determine the voltages at points A, B, and C and the current at point D. Each amplifier is powered with +/- 30 volts.

